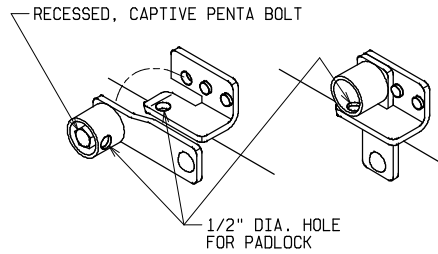
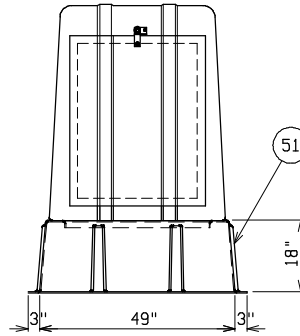


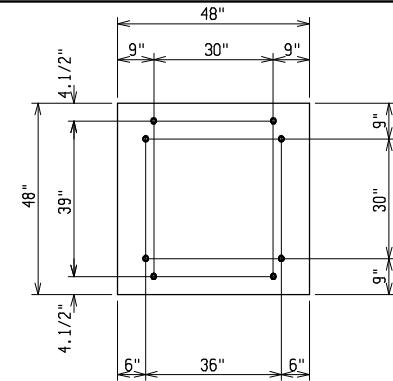
TOP VIEW



LATCH DETAIL

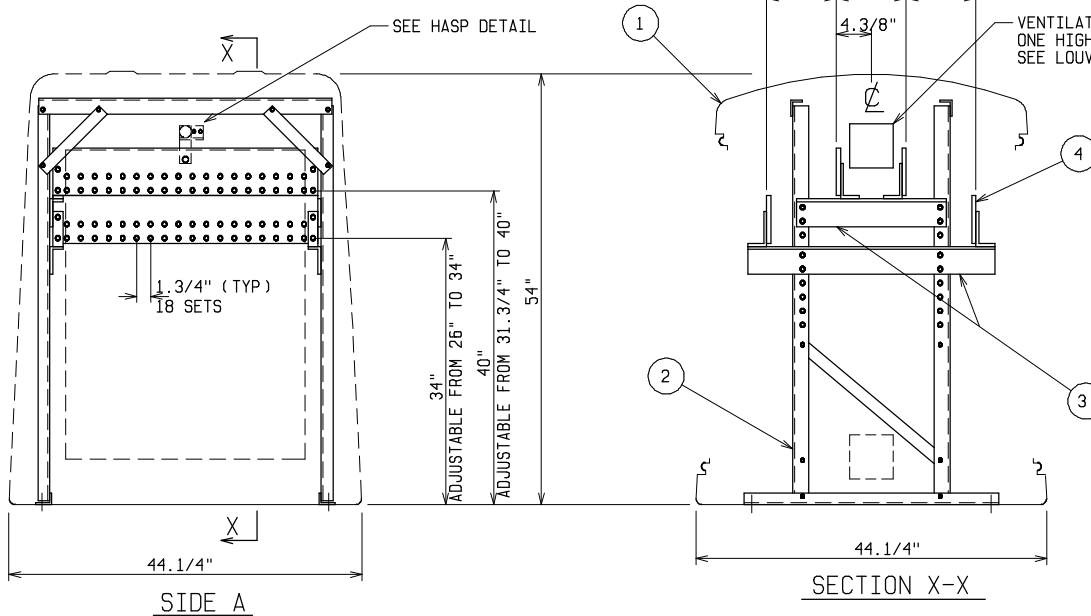


ENCLOSURE WITH
OPTIONAL BOX PAD

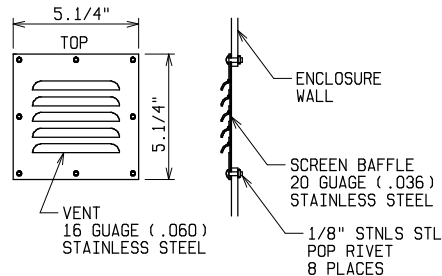


PAD AND ANCHOR BOLT DIMENSIONS

ANCHOR BOLTS TO BE 5/8" DIA. AND TO EXTEND 1.1/2" MIN.
PROVIDE CABLE ENTRY AS REQUIRED.



SECTION X-X



LOUVER DETAIL

MATERIAL LIST - STANDARD UNIT

ITEM	DESCRIPTION
1	FIBERGLASS EQUIPMENT ENCLOSURE - 2 DOOR - MUNSELL GREEN STAINLESS STEEL HARDWARE - PDI MODEL PE2-44-0-L2
2	ALUMINUM FREE STANDING FRAME
3	FIBERGLASS ANGLE INSULATOR - GPO-3
4	1/2" x 6" COPPER BUS BARS - 18 POSITION - NEMA 2 HOLE DRILLING

OPTIONAL EQUIPMENT

51	BP-46W46M18-MG BOX PAD - ALSO AVAILABLE IN 30" & 36" HEIGHTS
----	--------------------------------------------------------------

CATALOG NO: PS2-44-1778-L2-MG

PADMOUNT SECONDARY SWITCHGEAR

600V 2000 AMP (18) NEMA 2 HOLE
THREE PHASE (1) 1/2" x 6" COPPER BUS PER PHASE + NEUTRAL



POWER DESIGN INC.

ODELL, OREGON

DRAWN:	PAGE	DATE	DRAWING NO.
BB		3-13-01	1778

FILE REF: