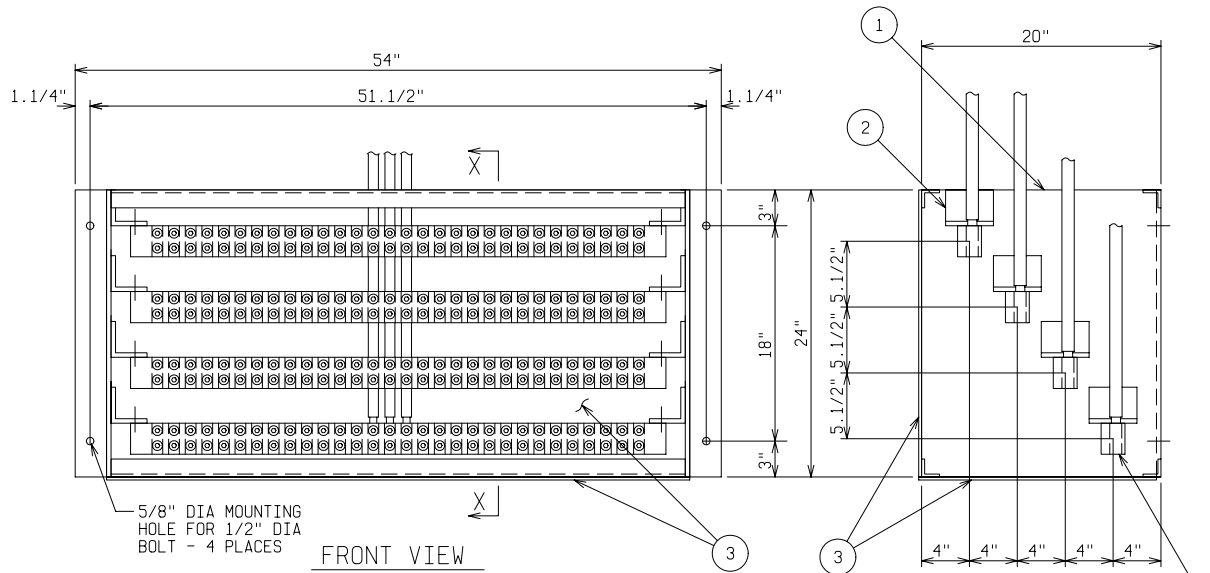


TOP VIEW



FRONT VIEW

SECTION X-X

5/8" DIA MOUNTING HOLE FOR 1/2" DIA BOLT - 4 PLACES

MATERIAL LIST - STANDARD UNIT	
ITEM	DESCRIPTION
1	GALVANIZED STEEL MOUNTING FRAME
2	FIBERGLASS ANGLE INSULATOR - GPO-3
3	1/4" THICK CLEAR LEXAN COVER BARRIER
4	ALUMINUM SET SCREW CONNECTOR - 30 POSITION - #2-750MCM CONDUCTOR RANGE

CATALOG NO: MB-40-30-1766

WALL MOUNT SECONDARY SWITCHGEAR
 600V 4000 AMP (30) 750MCM
 THREE PHASE (1) 30 POSITION CONNECTOR PER PHASE + NEUTRAL



FILE REF:	DRAWN: BB	PAGE	DATE 1-18-01	DRAWING NO. 1766
-----------	-----------	------	--------------	------------------