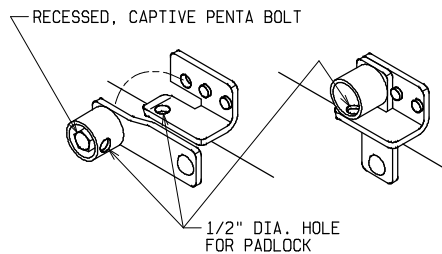
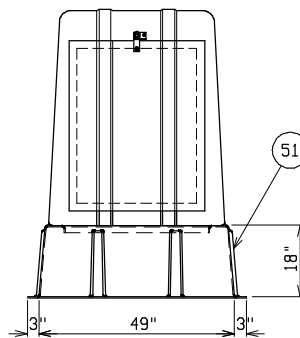


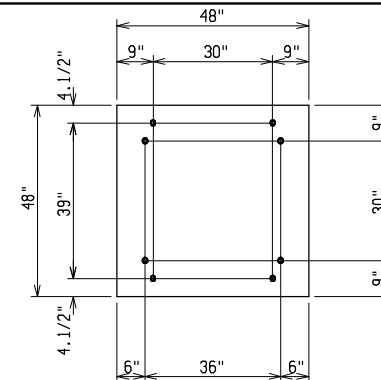
TOP VIEW



LATCH DETAIL

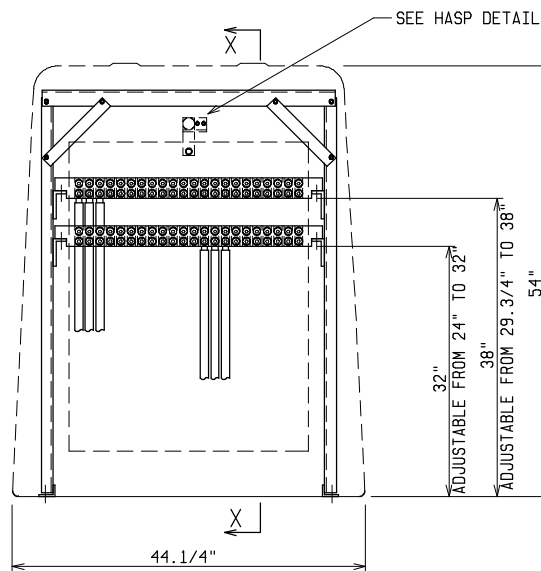


ENCLOSURE WITH
OPTIONAL BOX PAD

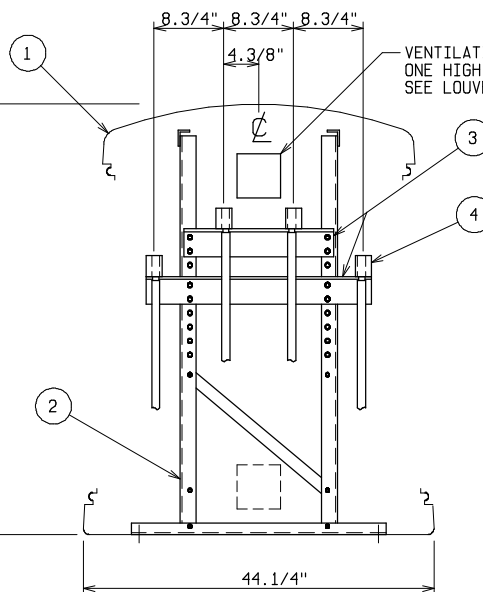


PAD AND ANCHOR BOLT DIMENSIONS

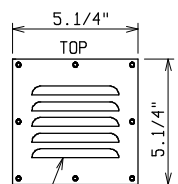
ANCHOR BOLTS TO BE 5/8" DIA. AND TO EXTEND 1.1/2" MIN.
PROVIDE CABLE ENTRY AS REQUIRED.



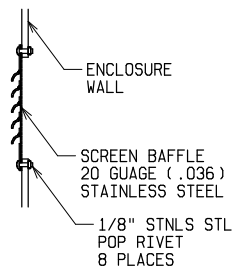
SIDE A



SECTION X-X



LOUVER DETAIL



VENTILATING LOUVER
ONE HIGH END SHOWN - ONE LOW END OPP
SEE LOUVER DETAIL

MATERIAL LIST - STANDARD UNIT

ITEM	DESCRIPTION
1	FIBERGLASS EQUIPMENT ENCLOSURE - 2 DOOR - MUNSELL GREEN STAINLESS STEEL HARDWARE - PDI MODEL PE2-44-0-L2
2	ALUMINUM FREE STANDING FRAME
3	FIBERGLASS ANGLE INSULATOR - GPO-3
4	ALUMINUM SET SCREW CONNECTOR - 22 POSITION - #2-750MCM CONDUCTOR RANGE

OPTIONAL EQUIPMENT

51	BP-46W46M18-MG BOX PAD - ALSO AVAILABLE IN 30" & 36" HEIGHTS
----	--

CATALOG NO: PS2-44-1582-L2-MG

PADMOUNT SECONDARY SWITCHGEAR

600V 4000 AMP (22) 750MCM
THREE PHASE (1) 22 POSITION CONNECTOR PER PHASE + NEUTRAL



POWER DESIGN INC.

ODELL, OREGON

FILE REF:

DRAWN:	PAGE	DATE	DRAWING NO.
BB		2-11-99	1582 -R2