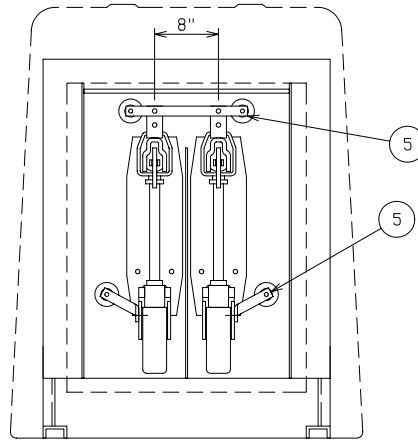
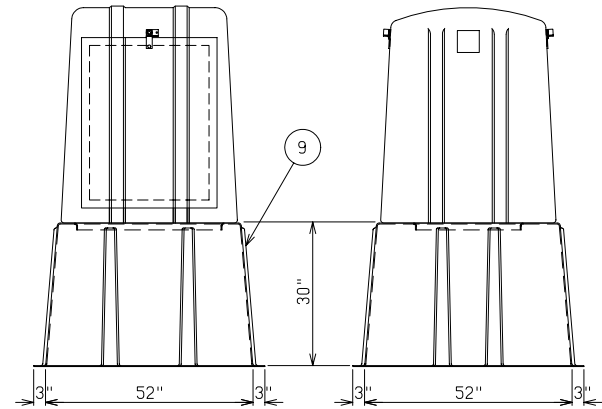


TOP VIEW

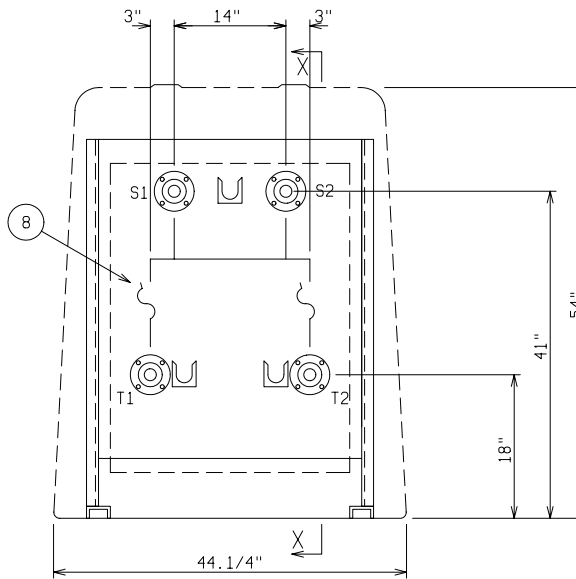


SIDE B

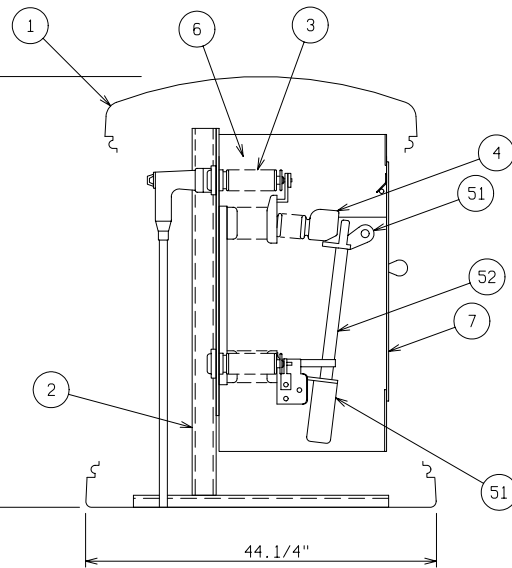


FRONT VIEW

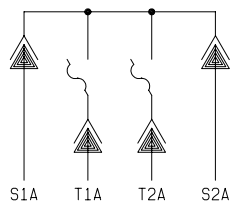
END VIEW



SIDE A



SECTION X-X



SCHMATIC

MATERIAL LIST - STANDARD UNIT

ITEM	DESCRIPTION
1	FIBERGLASS EQUIPMENT ENCLOSURE - 2 DOOR - MUNSELL GREEN - STAINLESS STEEL HARDWARE - PDI MODEL PE2-44-0-L2
2	GALVANIZED STEEL FREE STANDING FRAME
3	200 AMP BUSHING WELL - 25KV - 125KV BIL
4	S&C TYPE SML-20 LOADBREAK FUSE MOUNTING - 15KV - 95KV BIL 200E AMP MAX FUSE ( FUSE NOT INCLUDED)
5	1/8" x 1" COPPER BUS
6	3/16" THICK GLASTIC BARRIER
7	CLEAR LEXAN COVER BARRIER - LIFT-OFF
8	SCHEMATIC DIAGRAM TAPED & STENCILED ON FRONT PLATE
9	BOX PAD - PDI MODEL BP-46W46M30-MG

OPTIONAL EQUIPMENT

51	S&C TYPE SML-20 FUSE END FITTINGS
52	S&C TYPE SMU-20 FUSE UNIT - 15KV - SPECIFY AMPERE FUSE REQ'D 200E AMP MAXIMUM

CATALOG NO: PS2-44-1578-L2-MG-2LF

SWITCHGEAR - DEADFRONT

15KV 200 AMP 95KV BIL

SINGLE PHASE LOADBREAK LOOP FEED WITH (2) LOADBREAK FUSED TAP



NIPSCO

FILE REF:	DRAWN:	PAGE	DATE	DRAWING NO.
	BB		12-28-98	1578