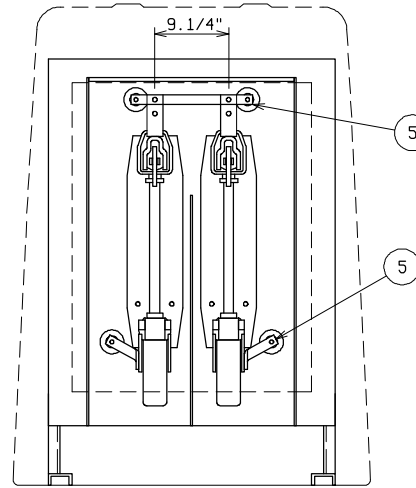
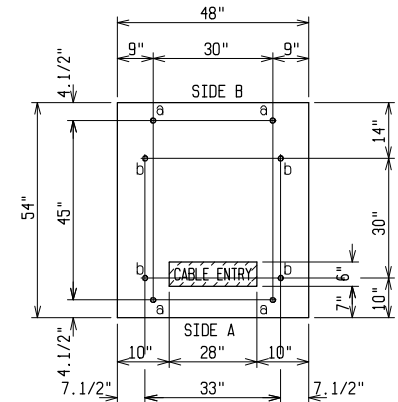


TOP VIEW



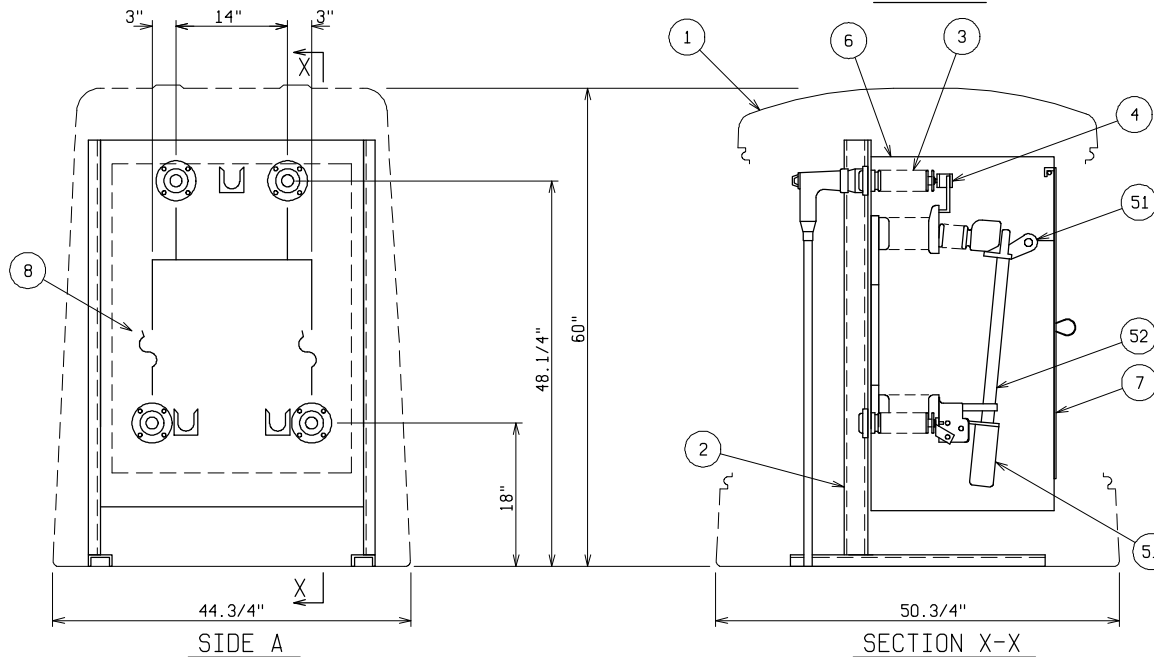
SIDE B



PAD AND ANCHOR BOLT DIMENSIONS

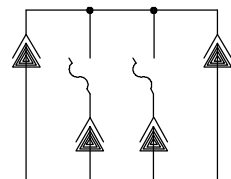
ANCHOR BOLTS TO BE 5/8" DIA. AND TO EXTEND: a = 1.1/2" MIN.
b = 2.1/2" MIN.

PROVIDE CABLE ENTRY AS REQUIRED.



SIDE A

SECTION X-X



SCHEMATIC

MATERIAL LIST - STANDARD UNIT

ITEM	DESCRIPTION
1	FIBERGLASS EQUIPMENT ENCLOSURE - 4 DOOR - MUNSELL GREEN - STAINLESS STEEL HARDWARE - PDI MODEL PE2-46-1-L2
2	GALVANIZED STEEL FREE STANDING FRAME
3	CENTRAL MOLONEY SHEDWELL BUSHING WELL - 25KV - 125KV BIL - 200 AMP
4	S&C TYPE SML-20 LOADBREAK TYPE FUSE MOUNTING - 25KV - 125KV BIL 200E AMP MAX FUSE (FUSE NOT INCLUDED)
5	1/8" x 1" COPPER BUS
6	3/16" THICK GLASTIC BARRIER
7	CLEAR LEXAN COVER BARRIER - LIFT-OFF
8	SCHEMATIC DIAGRAM TAPED & STENCILED ON FRONT PLATE

OPTIONAL EQUIPMENT

51	S&C TYPE SML-20 FUSE END FITTINGS
52	S&C TYPE SMU-20 FUSE UNIT - 15KV - SPECIFY AMPERE FUSE REQ'D 200E AMP MAXIMUM

CATALOG NO: PS2-46-1490-L2-MG-L2F

SWITCHGEAR - DEADFRONT
25KV 200 AMP 125KV BIL
SINGLE PHASE LOADBREAK LOOP FEED WITH (2) LOADBREAK FUSED TAP

POWER DESIGN INC.
ODELL, OREGON

DRAWN:	PAGE	DATE	DRAWING NO.
BB		4-27-98	1490

FILE REF.