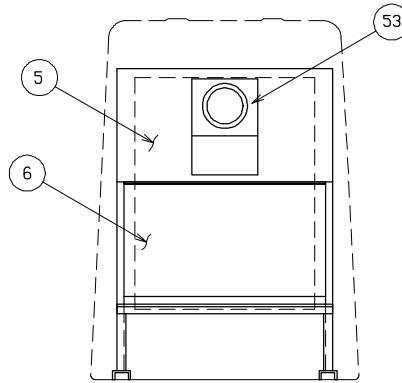
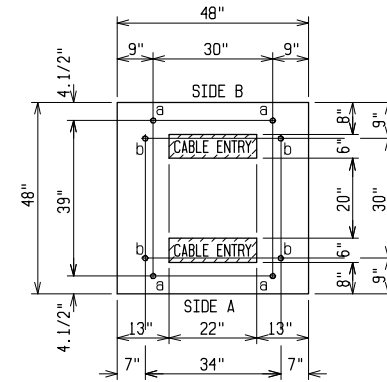


TOP VIEW

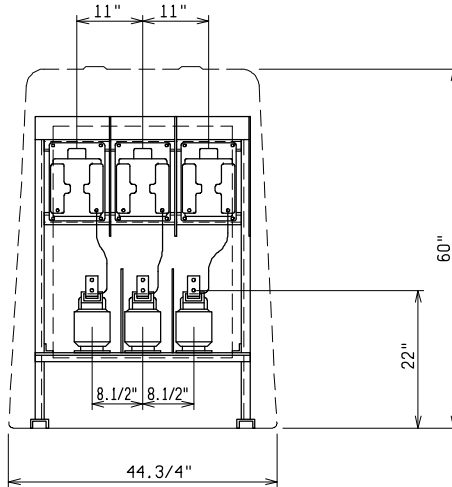


SIDE B

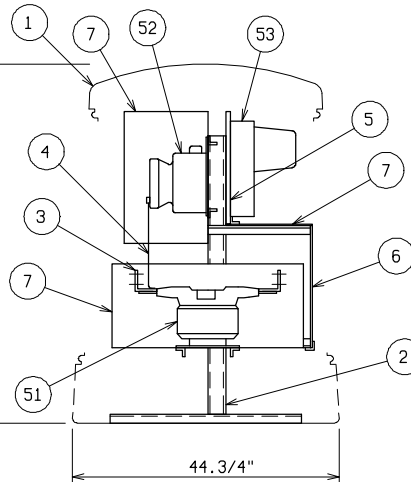


PAD AND ANCHOR BOLT DIMENSIONS

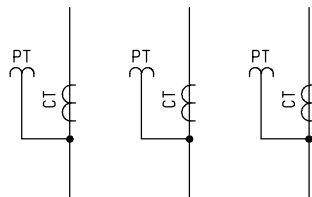
ANCHOR BOLTS TO BE 5/8" DIA. AND TO EXTEND: a = 1.1/2" MIN.  
 b = 2.1/2" MIN.  
 PROVIDE CABLE ENTRY AS REQUIRED.



SIDE A



SECTION X-X



SCHEMATIC

MATERIAL LIST - STANDARD UNIT

ITEM	DESCRIPTION
1	FIBERGLASS EQUIPMENT ENCLOSURE - 2 DOOR - STANDARD GREEN STAINLESS STEEL HARDWARE - PDI MODEL NO. PE2-44-1
2	FREE STANDING GALVANIZED STEEL FRAME
3	2" x 1/4" COPPER BUS
4	#6AWG SOLID COPPER WIRE
5	3/4" EXTERIOR PLYWOOD METER MOUNTING PANEL - PAINTED GREEN EPOXY
6	3/16" GLASTIC REMOVABLE COVER PANEL
7	3/16" GLASTIC BARRIER

OPTIONAL EQUIPMENT

51	CURRENT TRANSFORMER - INDOOR TYPE - 15KV - 110KV BIL - 600:5 MAXIMUM RATIO
52	POTENTIAL TRANSFORMER - INDOOR TYPE - 15KV - 110KV BIL - 120:1 MAXIMUM RATIO
53	THIRTEEN TERMINAL METER SOCKET - INCLUDING WIRING BETWEEN METER BASE, CT'S AND PT'S

CATALOG NO: PS2-44-1487-L4-WG

PRIMARY METERING

15KV 600 AMP 95KV BIL  
 3 CT 3 PT METER MOUNTING PANEL



**POWER DESIGN INC.**

ODELL, OREGON

DRAWN: BB	PAGE	DATE 10-13-97	DRAWING NO. 1487
--------------	------	------------------	---------------------

FILE REF.