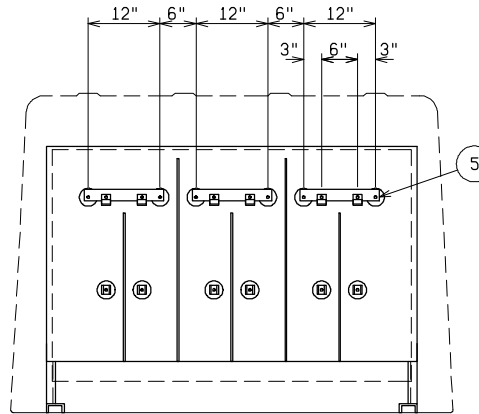
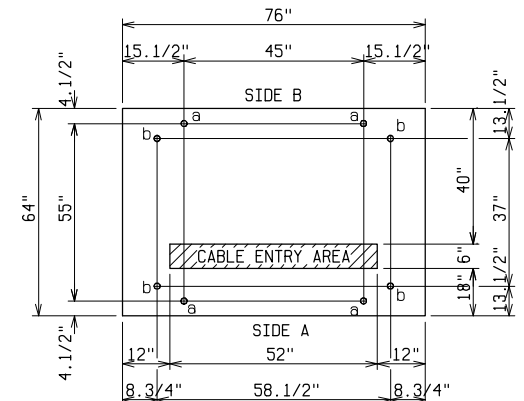


TOP VIEW

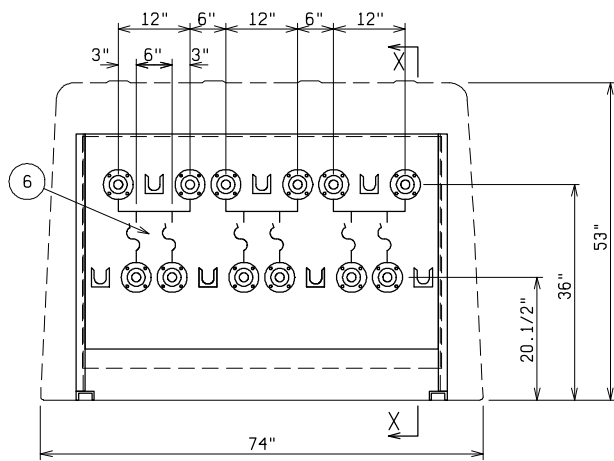


SIDE B

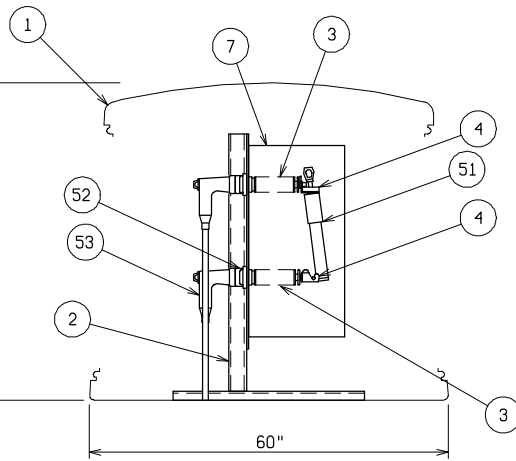


PAD & ANCHOR BOLT DETAIL

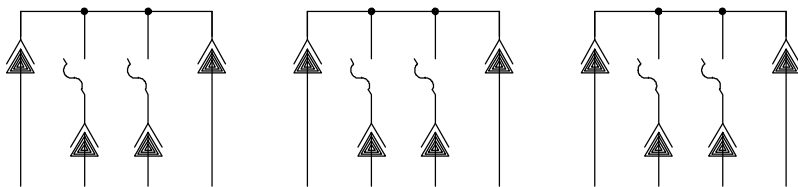
ANCHOR BOLTS TO BE 5/8" DIA. & TO EXTEND:
 a = 1.1/2" MIN.
 b = 2.1/2" MIN.
 PROVIDE CABLE ENTRY AS REQ'D.



SIDE A



SECTION X-X



SCHEMATIC

MATERIAL LIST - STANDARD UNIT

ITEM	DESCRIPTION
1	FIBERGLASS EQUIPMENT ENCLOSURE - 4 DOOR - STANDARD GREEN STAINLESS STEEL HARDWARE - PDI MODEL PE4-74-0-L2 WITH ONE TRANSPARENT LEXAN INNER DOOR ON LIVEFRONT SIDE
2	GALVANIZED STEEL FREE STANDING FRAME
3	CABLE TO AIR BUSHING WELL - 25KV - 125KV BIL - 200 AMP
4	COOPER POWER ARC STRANGLER NX FUSE MOUNTING - 15.5KV - MTG. CODE 2
5	1/4" x 1" COPPER BUS
6	SCHEMATIC DIAGRAM TAPED & STENCILED ON FRONT PLATE
7	3/16" THK GLASTIC BARRIER

OPTIONAL EQUIPMENT

51	COOPER POWER ARC STRANGLER NXII FUSE - 15.5KV - MOUNTING CODE 2 SPECIFY AMPERE FUSE REQUIRED (50 AMP MAXIMUM)
52	200 AMP LOADBREAK INSERT
53	200 AMP LOADBREAK ELBOW - PROVIDE CONDUCTOR SIZE & DIAMETER OVER INSULATION

SWITCHGEAR - DEADFRONT

25KV 200 AMP 125KV BIL
 3 PHASE LOADBREAK LOOP FEED (2) 3 PHASE LOADBREAK FUSED TAP

POWER DESIGN INC.
 ODELL, OREGON

DRAWN: BB	PAGE	DATE 8-27-96	DRAWING NO. 1374 -R2
--------------	------	-----------------	-------------------------

FILE REF.