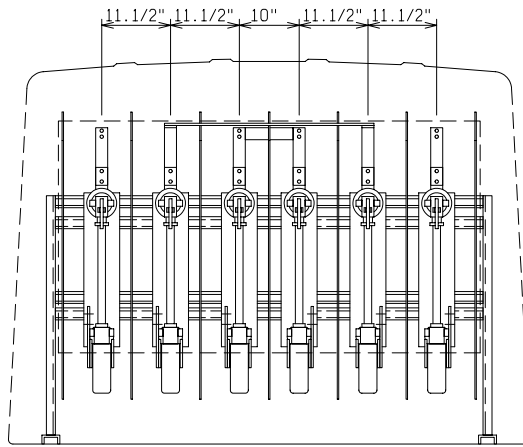
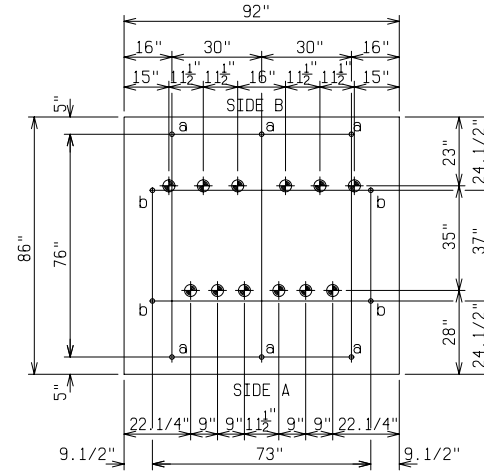


TOP VIEW



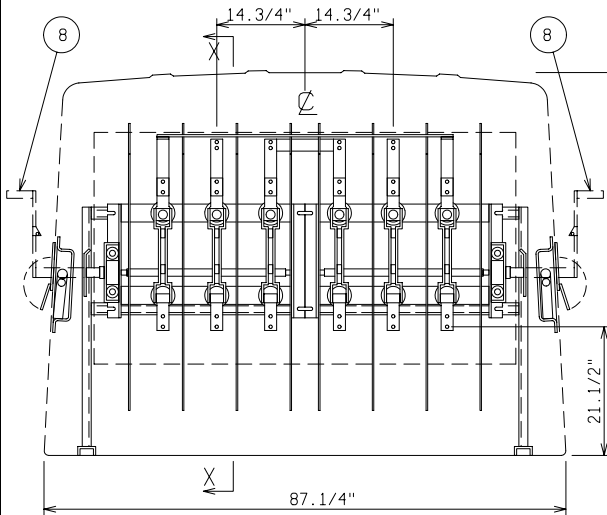
SIDE B



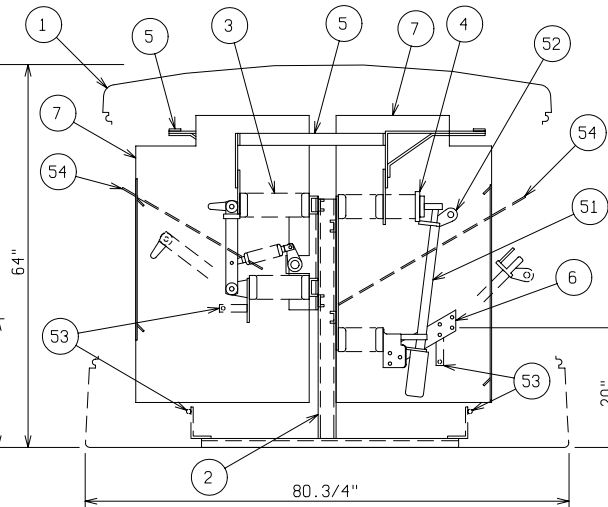
PAD & ANCHOR BOLT DETAILS

ANCHOR BOLTS TO BE 5/8" DIA. & TO EXTEND:
 a = 1-1/2" MINIMUM
 b = 2-1/2" MINIMUM
 PROVIDE CABLE ENTRY HOLES AS REQUIRED.

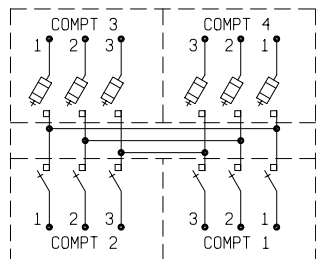
◆ = PROJECTED CABLE TERMINAL POINT



SIDE A



SECTION X-X



SCHEMATIC

MATERIAL LIST - STANDARD UNIT

ITEM	DESCRIPTION
1	FIBERGLASS EQUIPMENT ENCLOSURE - 4 DOOR - LANGLEY BROWN - STNLS. STL. HARDWARE - PDI MODEL NO. PE4-86-2
2	GALVANIZED STEEL FREE-STANDING FRAME
3	ELECTRICAL EQUIPMENT INC THREE PHASE AUTO-JET II SWITCH - 25KV 600 AMP - 125KV BIL - 40,000A RMS ASYM.
4	ELECTRICAL EQUIPMENT INC TYPE EE-20 AUTO-JET FUSE MOUNTING 25KV - 125KV BIL - 200E AMP MAX. - 20,000A RMS ASYM.
5	1/4" x 2" COPPER BUS
6	1/4" x 3" COPPER BUS
7	3/16" GPO-3 BARRIER
8	SWITCH OPERATING HANDLE, FIBERGLASS ACCESS DOOR & STORAGE POCKET

OPTIONAL EQUIPMENT

51	S&C TYPE SMU-20 FUSE UNIT - SPECIFY AMPERE FUSE REQ'D. (200E MAX.)
52	S&C TYPE SM-20 FUSE END FITTINGS
53	5/8" DIA. GROUND STUDS ON SWITCH & FUSE TERMINALS
54	DUAL PURPOSE FRONT COVER BARRIERS IN SWITCH & FUSE COMPARTMENTS
55	SPARE FUSE CONTAINERS IN FUSE COMPARTMENTS

SWITCHGEAR

25KV 200/600 AMP 125KV BIL
 (2) 3 PHASE SWITCHED FEED (2) THREE PHASE FUSED TAPS

POWER DESIGN INC.
 ODELL, OREGON

DRAWN:	PAGE	DATE	DRAWING NO.
BB		12-14-93	1159

FILE REF: