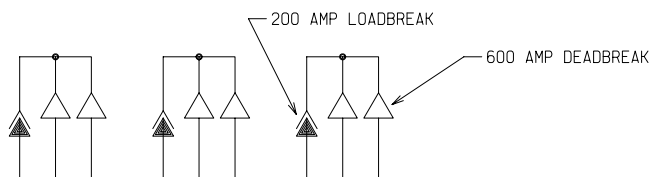
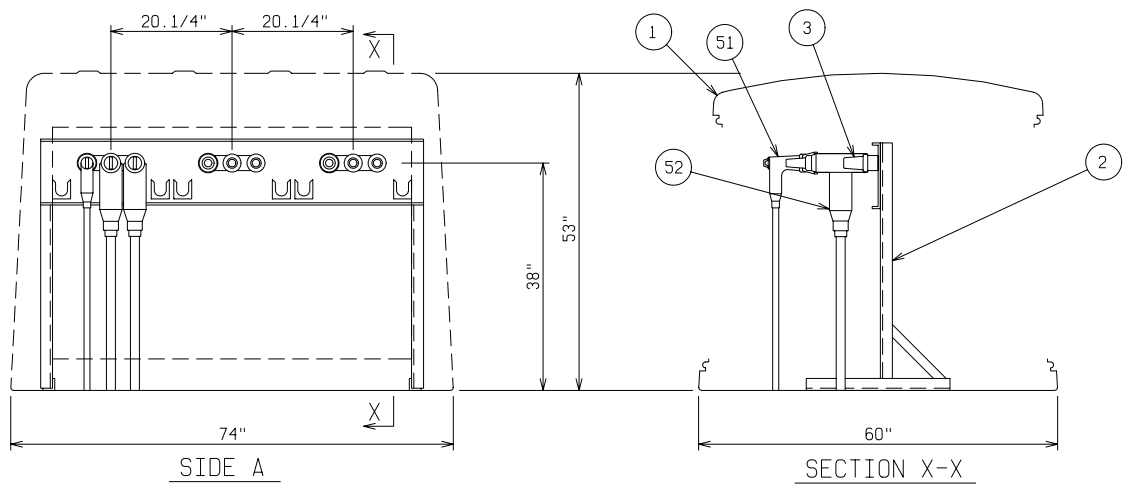


PAD & ANCHOR BOLT DETAIL

ANCHOR BOLTS TO BE 5/8" DIA. & TO EXTEND 1-1/2" MINIMUM ABOVE PAD. PROVIDE CABLE ENTRY AS REQ'D.



SCHEMATIC

MATERIAL LIST - STANDARD UNIT

ITEM	DESCRIPTION
1	FIBERGLASS EQUIPMENT ENCLOSURE - 4 DOOR - LIGHT BROWN - STNLS STL HARDWARE - PDI MODEL NO. PE4-74-0-L2
2	GALVANIZED STEEL FREE-STANDING FRAME
3	3-WAY 600 AMP DEADBREAK JUNCTION - 15KV - 95KV BIL
4	600 AMP BUSHING EXTENSION - 15KV - 95KV BIL
5	600/200 AMP ELBOW TAP PLUG - 15KV - 95KV BIL

OPTIONAL EQUIPMENT

51	600 AMP DEADBREAK ELBOW CONNECTOR - 15KV - 95KV BIL
52	200 AMP LOADBREAK ELBOW - 15KV - 95KV BIL

NOTE:

SEE JOB MATERIAL LIST FOR ADDITIONAL EQUIPMENT
PROVIDE ELBOWS WITH ADDITIONAL SUPPORT AS REQUIRED

SECTIONALIZING SWITCHGEAR - DEADFRONT

15KV 600/200 AMP 95KV BIL
THREE PHASE 3-WAY DEADBREAK JUNCTION WITH (1) 200 AMP LOADBREAK TAP



DRAWN:	PAGE	DATE	DRAWING NO.
BB		11-18-93	1155

FILE REF: