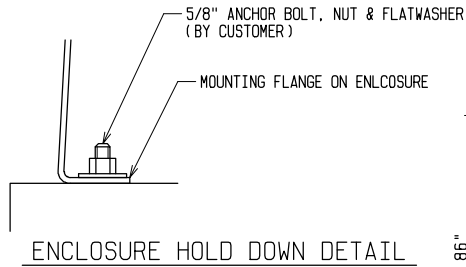
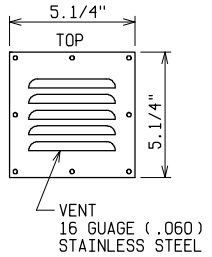


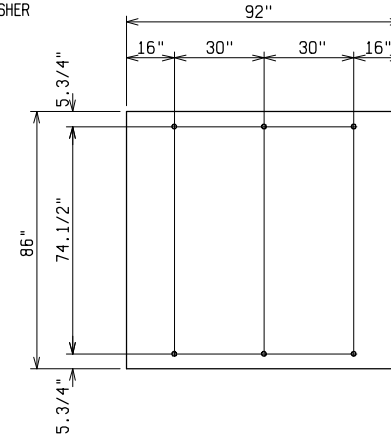
TOP VIEW



ENCLOSURE HOLD DOWN DETAIL

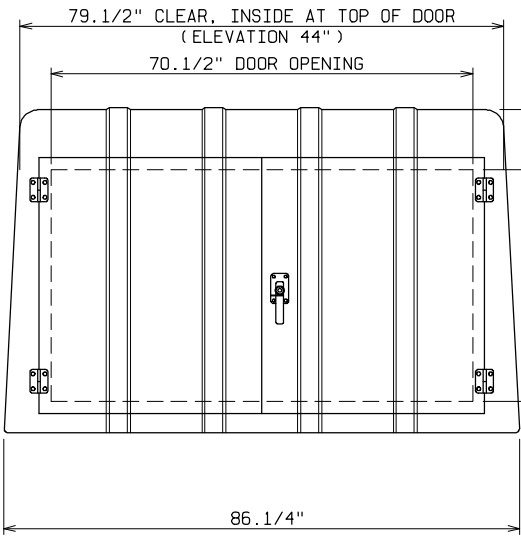


LOUVER DETAIL



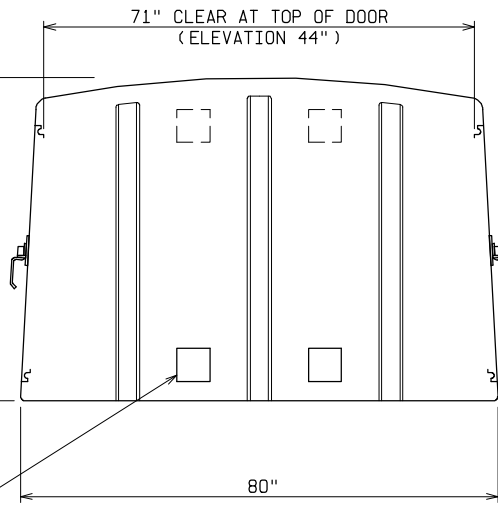
PAD & ANCHOR BOLT DETAIL

ANCHOR BOLTS TO BE 5/8" DIA. & TO EXTEND 1-1/2" MINIMUM ABOVE PAD. PROVIDE CABLE ENTRY AS REQ'D.



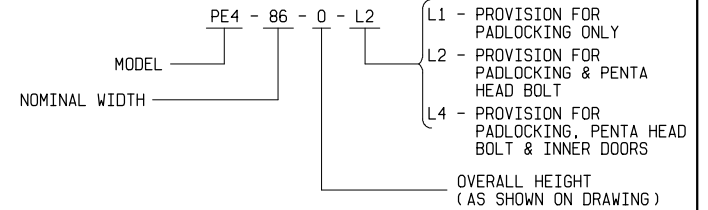
FRONT VIEW

VENTILATING LOUVER
TWO LOW END SHOWN
TWO HIGH END OPP.
SEE LOUVER DETAIL



END VIEW

ORDERING INFORMATION:



NOTE:

1. MATERIAL:
 - 1) FIBERGLASS LAMINATE 3/16" NOMINAL THICKNESS
 - 2) EXTERIOR UV STABILIZED GELCOAT - 14 MIL NOMINAL THICKNESS
 - 3) FIRE RETARDANT - DOES NOT SUPPORT COMBUSTION
 - 4) STAINLESS STEEL HARDWARE
2. STANDARDS:
 - 1) CONFORMS TO ANSI C57.12.28, PADMOUNT EQUIPMENT ENCLOSURE INTEGRITY STANDARD
 - 2) CERTIFIED TEST DATA OF ASTM STRUCTURAL STANDARDS AVAILABLE UPON REQUEST

ENCLOSURE DETAILS

PE4-86-0



POWER DESIGN INC.

ODELL, OREGON

FILE REF.	DRAWN: BB	PAGE	DATE 2-29-92	DRAWING NO. 1030 -R2
-----------	--------------	------	-----------------	-------------------------