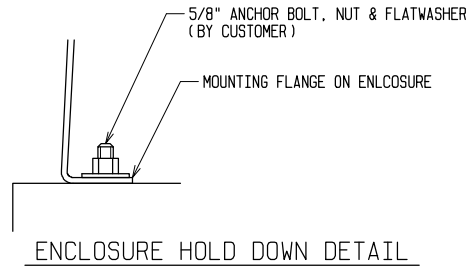
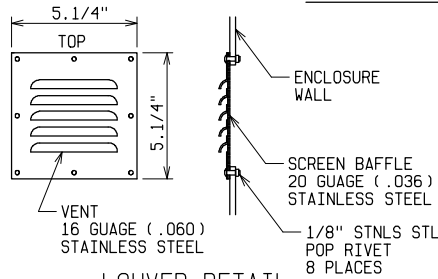


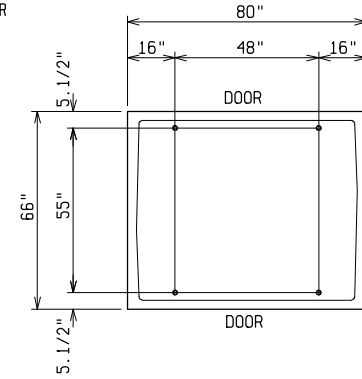
TOP VIEW



ENCLOSURE HOLD DOWN DETAIL

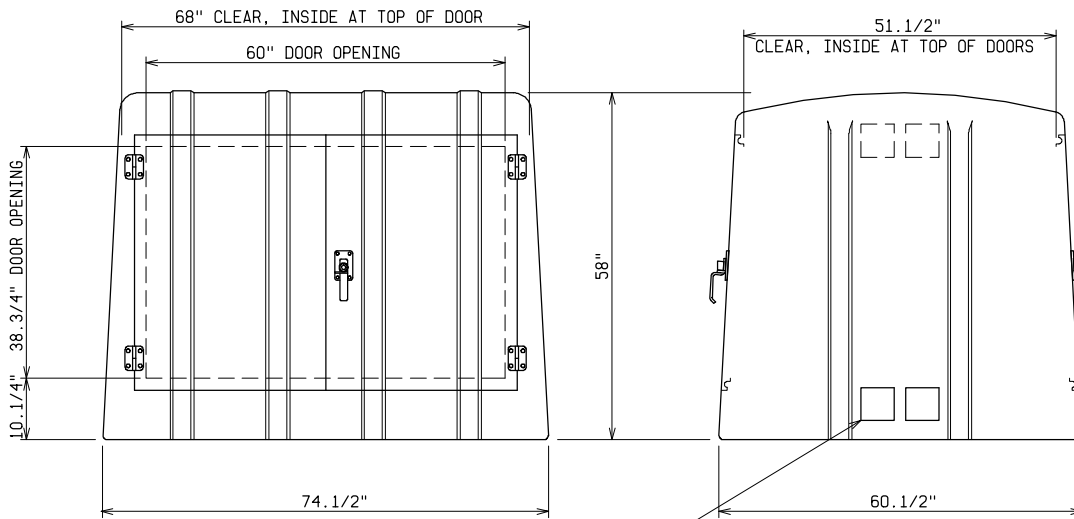


LOUVER DETAIL



PAD & ANCHOR BOLT DETAIL

ANCHOR BOLTS TO BE 5/8" DIA. & TO EXTEND 1-1/2" MINIMUM ABOVE PAD. PROVIDE CABLE ENTRY AS REQ'D.

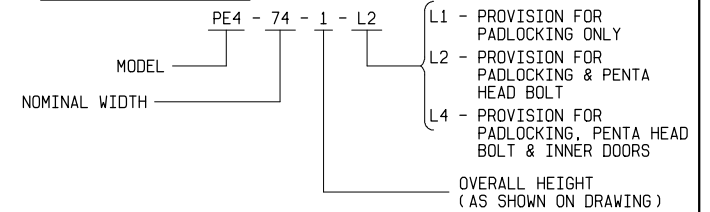


FRONT VIEW

END VIEW

VENTILATING LOUVER  
TWO LOW END SHOWN  
TWO HIGH END OPP.  
SEE LOUVER DETAIL

ORDERING INFORMATION:



NOTE:

- MATERIAL:
  - FIBERGLASS LAMINATE 3/16" NOMINAL THICKNESS
  - EXTERIOR UV STABILIZED GELCOAT - 14 MIL NOMINAL THICKNESS
  - FIRE RETARDANT - DOES NOT SUPPORT COMBUSTION
  - STAINLESS STEEL HARDWARE
- STANDARDS:
  - CONFORMS TO ANSI C57.12.28, PADMOUNT EQUIPMENT ENCLOSURE INTEGRITY STANDARD
  - CERTIFIED TEST DATA OF ASTM STRUCTURAL STANDARDS AVAILABLE UPON REQUEST

ENCLOSURE DETAILS

PE4-74-1



POWER DESIGN INC.

ODELL, OREGON

DRAWN:  
BB

PAGE

DATE  
6-3-94

DRAWING NO.  
1042

FILE REF.