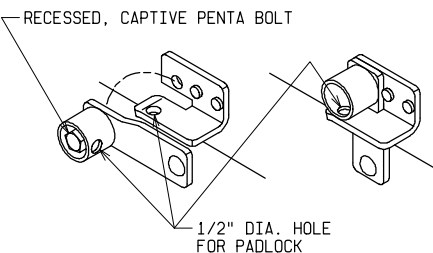
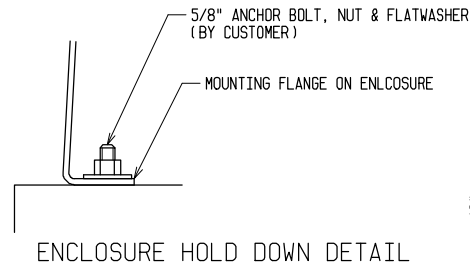


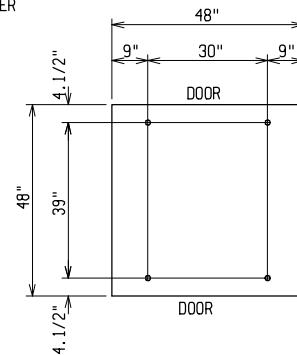
TOP VIEW



LATCH DETAIL

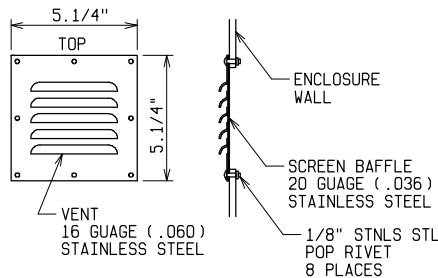


ENCLOSURE HOLD DOWN DETAIL

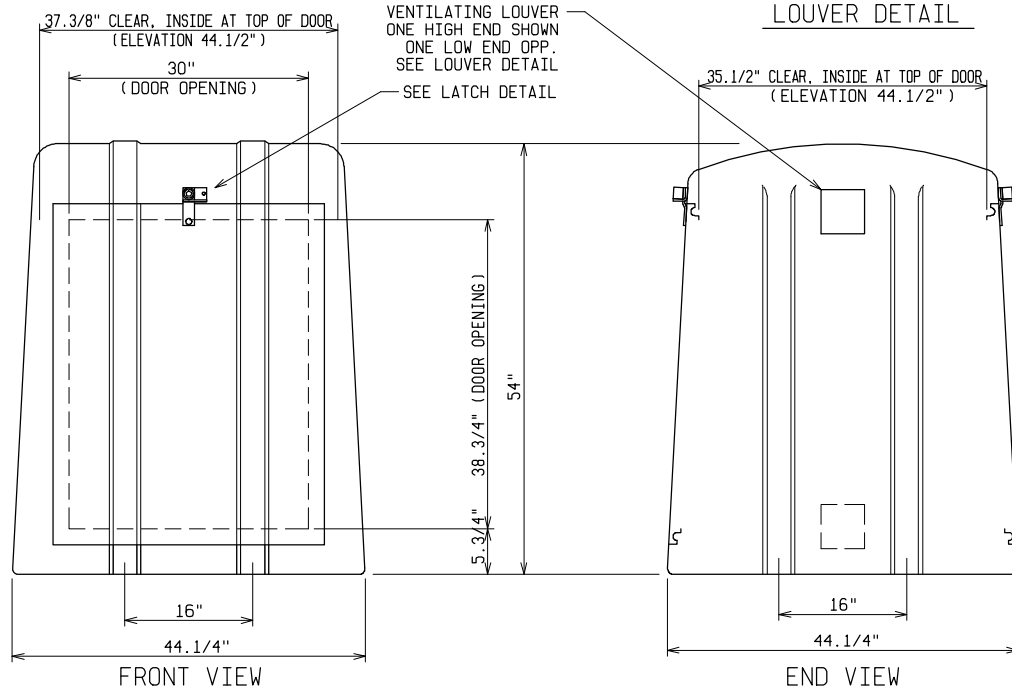


PAD AND ANCHOR BOLT DIMENSIONS

ANCHOR BOLTS TO BE 5/8" DIA. AND TO EXTEND 1.1/2" MINIMUM ABOVE PAD. PROVIDE CABLE ENTRY AS REQUIRED.



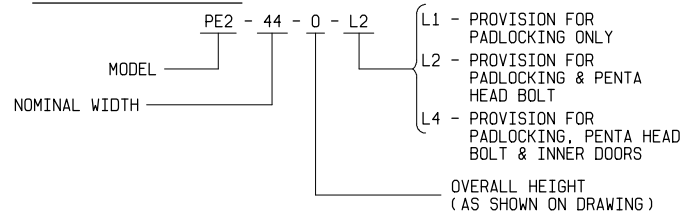
LOUVER DETAIL



FRONT VIEW

END VIEW

ORDERING INFORMATION:



NOTE:

1. MATERIAL:
 - 1) FIBERGLASS LAMINATE 3/16" NOMINAL THICKNESS
 - 2) EXTERIOR UV STABILIZED GELCOAT - 14 MIL NOMINAL THICKNESS
 - 3) FIRE RETARDANT - DOES NOT SUPPORT COMBUSTION
 - 4) STAINLESS STEEL HARDWARE
2. STANDARDS:
 - 1) CONFORMS TO ANSI C57.12.28, PADMOUNT EQUIPMENT ENCLOSURE INTEGRITY STANDARD
 - 2) CERTIFIED TEST DATA OF ASTM STRUCTURAL STANDARDS AVAILABLE UPON REQUEST

ENCLOSURE DETAILS			
PE2-44-0			
POWER DESIGN INC. ODELL, OREGON			
DRAWN: BB	PAGE	DATE 11-2-93	DRAWING NO. 1035 -R1

FILE REF.