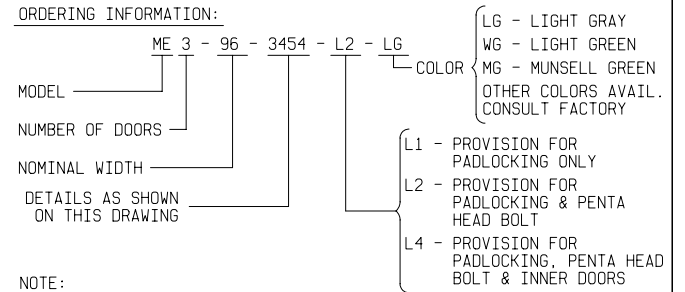


PAD & DETAIL BOLT DETAIL

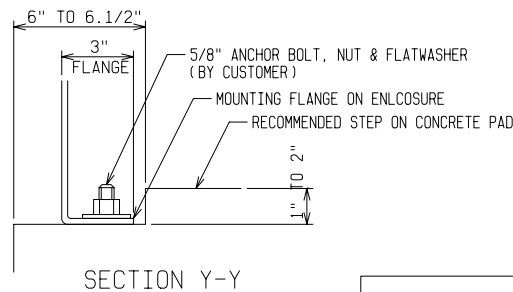
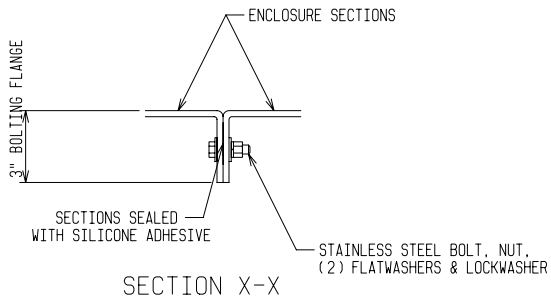
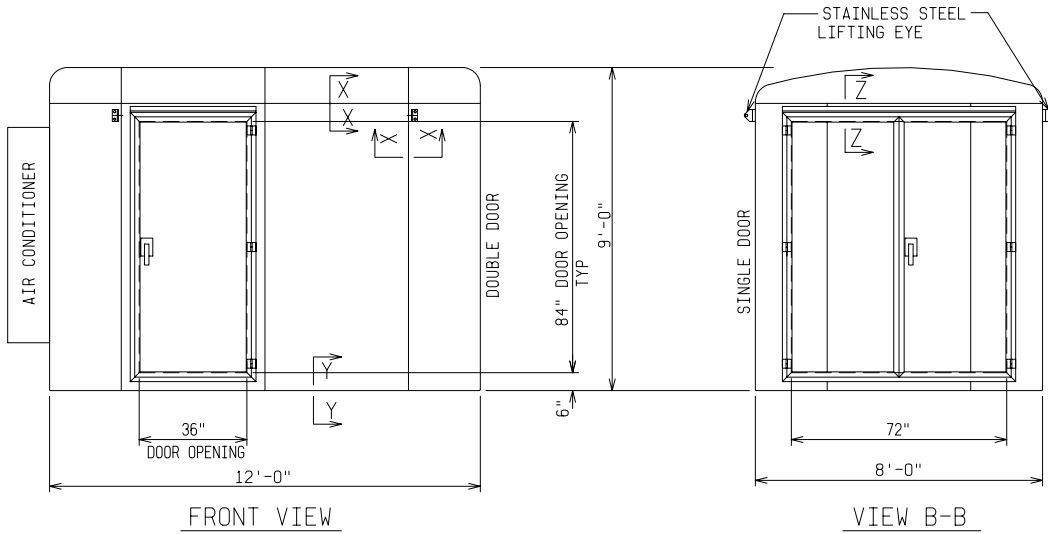
ANCHOR BOLTS TO BE 5/8" DIA. & TO EXTEND 1-1/2" MINIMUM ABOVE PAD. PROVIDE UTILITY ENTRY AS REQUIRED.

ORDERING INFORMATION:



NOTE:

- MATERIAL:**
 - FIBERGLASS LAMINATE 1/4" NOMINAL THICKNESS
 - EXTERIOR UV STABILIZED GELCOAT - 14 MIL NOMINAL THICKNESS
 - FIRE RETARDANT - DOES NOT SUPPORT COMBUSTION
 - STAINLESS STEEL HARDWARE
- STANDARDS:**
 - CERTIFIED TEST DATA OF ASTM STRUCTURAL STANDARDS AVAILABLE UPON REQUEST



FIBERGLASS MODULAR ENCLOSURE
 8 FT WIDE x 9 FT HIGH x 12 FT LONG
 ONE DOUBLE & ONE SINGLE DOOR - BRKR BOX, LIGHTS, RCPTCL, AIR CONDITIONER



DRAWN: BB	PAGE	DATE 5-4-03	DRAWING NO. 3454
--------------	------	----------------	---------------------

FILE REF: