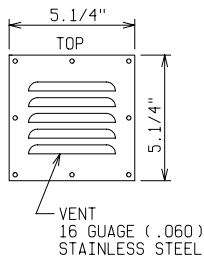
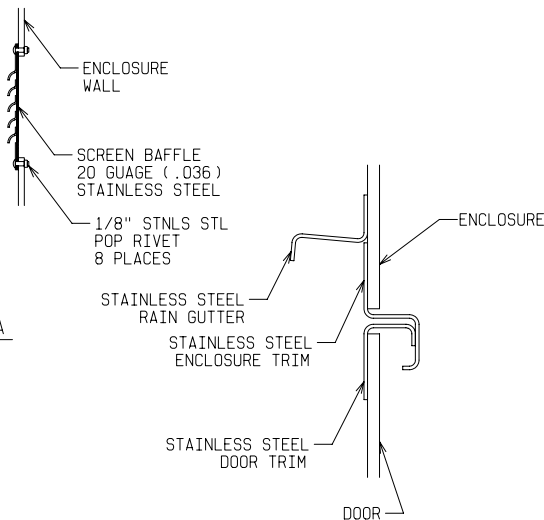


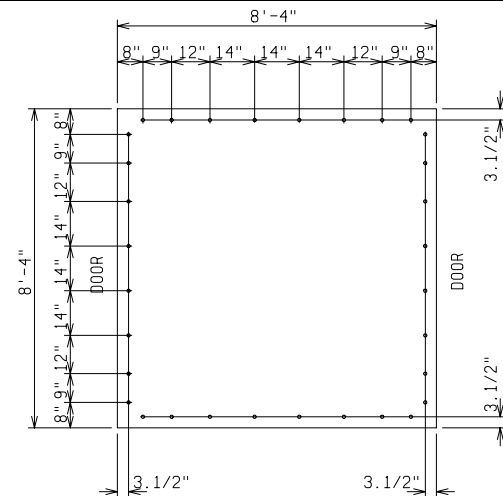
TOP VIEW



DETAIL A

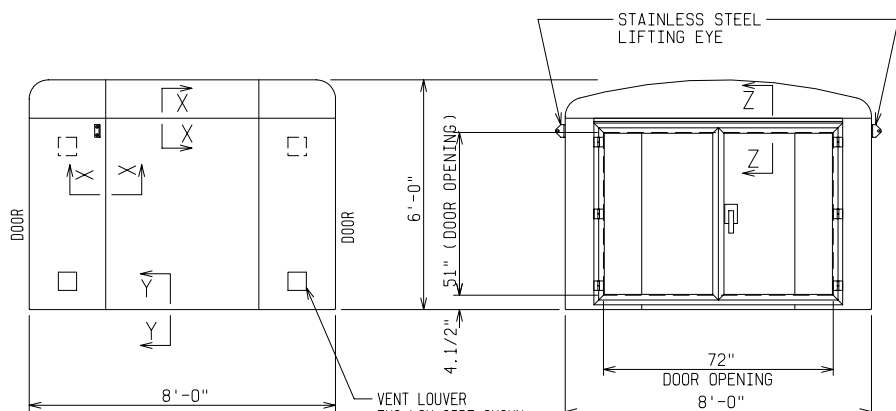


SECTION Z-Z



PAD & ANCHOR BOLT DETAIL

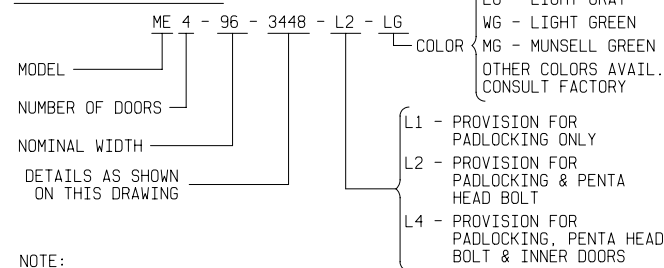
ANCHOR BOLTS TO BE 5/8" DIA. AND TO EXTEND 1-1/2" MINIMUM ABOVE PAD PROVIDE UTILITY ENTRY AS REQUIRED



FRONT VIEW

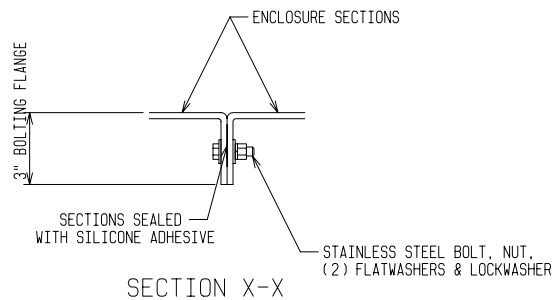
END VIEW

ORDERING INFORMATION:

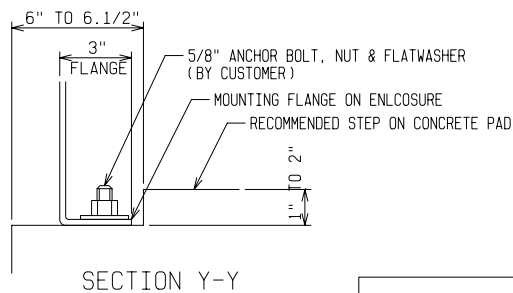


NOTE:

- MATERIAL:
 - FIBERGLASS LAMINATE 1/4" NOMINAL THICKNESS
 - EXTERIOR UV STABILIZED GELCOAT - 14 MIL NOMINAL THICKNESS
 - FIRE RETARDANT - DOES NOT SUPPORT COMBUSTION
 - STAINLESS STEEL HARDWARE
- STANDARDS:
 - CERTIFIED TEST DATA OF ASTM STRUCTURAL STANDARDS AVAILABLE UPON REQUEST



SECTION X-X



SECTION Y-Y

FIBERGLASS WALK-IN ENCLOSURE
8 FT WIDE x 6 FT HIGH x 8 FT LONG
TWO DOUBLE DOORS

POWER DESIGN INC.
ODELL, OREGON

DRAWN: BB	PAGE	DATE 5-4-03	DRAWING NO. 3448
--------------	------	----------------	---------------------

FILE REF: