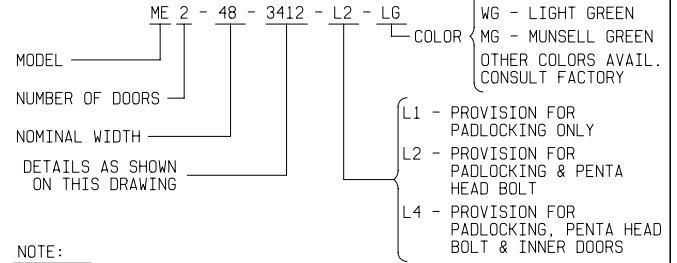
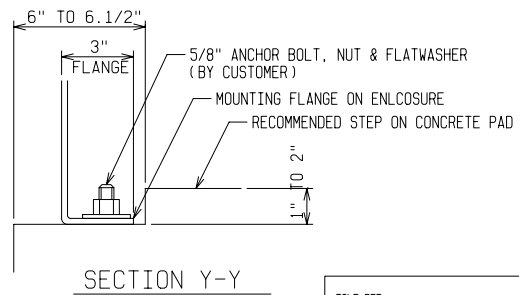
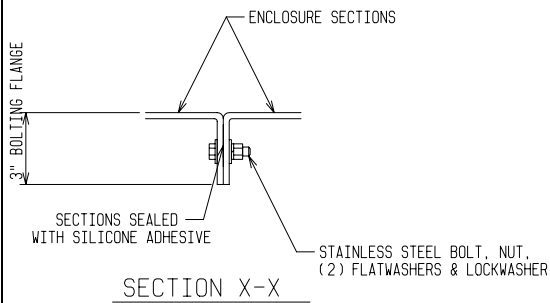


ORDERING INFORMATION:



NOTE:

- MATERIAL:
 - FIBERGLASS LAMINATE 1/4" NOMINAL THICKNESS
 - EXTERIOR UV STABILIZED GELCOAT - 14 MIL NOMINAL THICKNESS
 - FIRE RETARDANT - DOES NOT SUPPORT COMBUSTION
 - STAINLESS STEEL HARDWARE
- STANDARDS:
 - CERTIFIED TEST DATA OF ASTM STRUCTURAL STANDARDS AVAILABLE UPON REQUEST



FIBERGLASS ENCLOSURE

4 FT WIDE x 8 FT 6 IN HIGH x 8 FT LONG

ONE DOUBLE ACCESS DOOR

POWER DESIGN INC.

ODELL, OREGON

DRAWN: BB	PAGE	DATE 3-4-03	DRAWING NO. 3412
-----------	------	-------------	------------------

FILE REF: