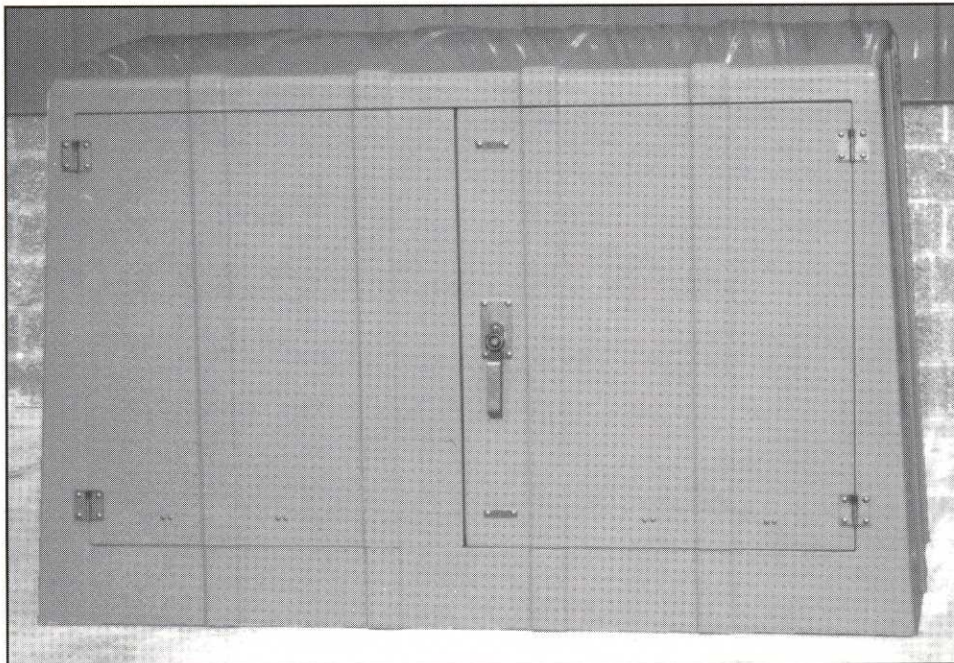


(Model No. PE2-43-L2-MG with lift off doors)

BENEFITS:

- ◆ **FIBERGLASS CONSTRUCTION**
Strong, light weight, and corrosion-free.
- ◆ **STAINLESS STEEL HARDWARE**
Complete corrosion-proof unit.
- ◆ **UV STABILIZED GELCOAT**
Protects structural integrity.
Standard light green color.
- ◆ **FIRE RETARDANT FIBERGLASS**
Does not support combustion.
- ◆ **MEETS INDUSTRY STANDARDS**
ANSI C57.12.28 Pad-mounted Enclosure
Integrity Standard.
- ◆ **DESIGN VERSATILITY**
Wide range of sizes available.
- ◆ **CUSTOM ENGINEERED DESIGNS**
Allows standard enclosures to be
custom built.



(Model No. PE4-86-1-L2-WG with hinged doors)



STANDARD DESIGN FEATURES:

LIFTOFF DESIGN allows enclosure to be removed without disturbing enclosed equipment.

ENCLOSURE COLOR can be specified to match project requirements.

VENTILATION LOUVERS located high on one side and low on the other side provide "chimney" effect.

INTERNAL MOUNTING FLANGE completely around base adds structural integrity.

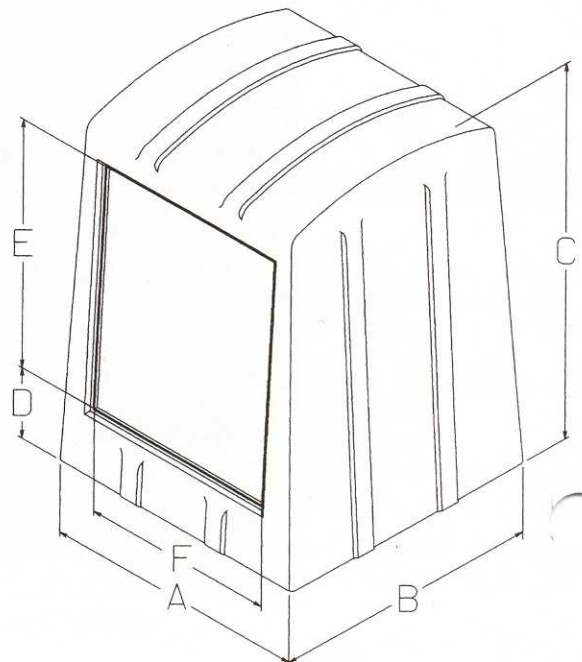
INNER DOORS when livefront equipment is enclosed.

DIMENSIONS:

SINGLE DOOR - FRONT & BACK

MODEL	OVERALL WIDTH A	OVERALL DEPTH B	OVERALL HEIGHT C	HEIGHT TO DOOR OPENING D	DOOR OPENING HGT E	DOOR OPENING WIDTH F	APPROX SHIP WGT
PE2-43	43"	43"	42"	7 1/2"	25"	30"	175#
PE2-44-0	44 1/4"	44 1/4"	54"	5 3/4"	38 3/4"	30"	195#
PE2-44-1	44 3/4"	44 3/4"	60"	11 3/4"	38 3/4"	30"	205#
PE2-44-2	45 1/2"	45 1/2"	66"	17 3/4"	38 3/4"	30"	215#

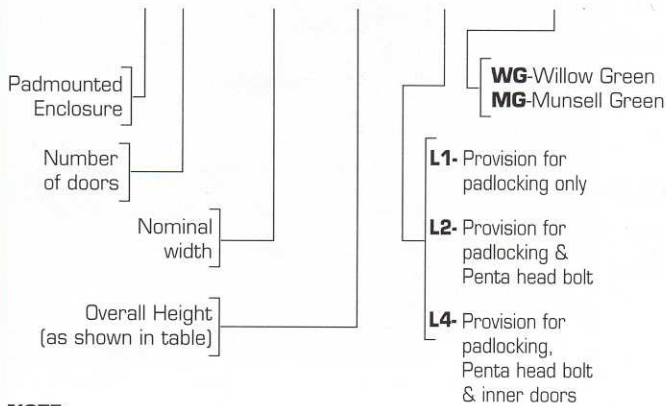
These units have liftoff doors on standard enclosure, add suffix "-HD" to catalog number for hinged door option.



ORDERING INFORMATION:

EXAMPLE

PE4 - 86 - 2 - L4 - WG



NOTE:

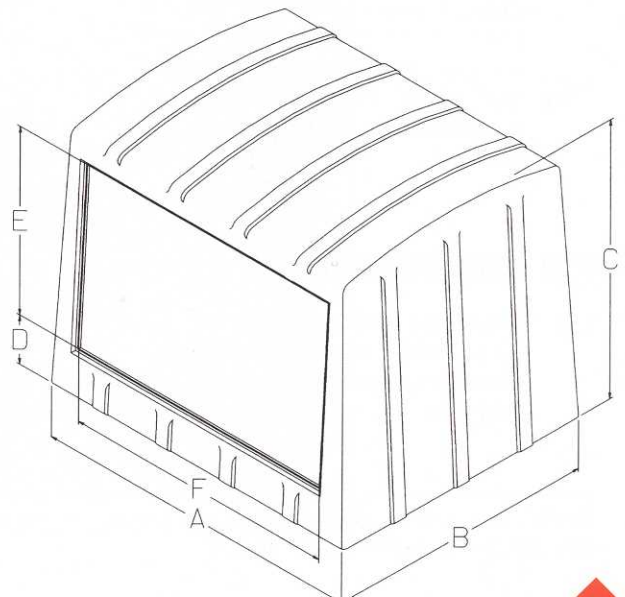
Refer to individual enclosure drawings for louver quantity & location, pad & anchor bolt dimensions, and inside clear dimensions



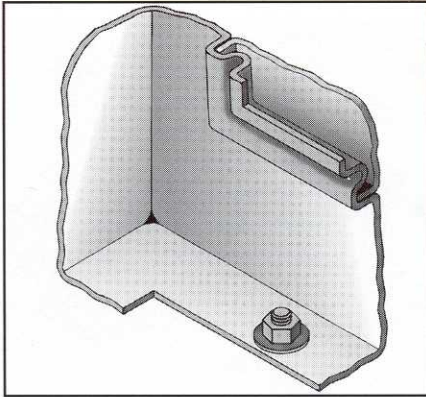
DIMENSIONS:

DOUBLE DOOR - FRONT & BACK

MODEL	OVERALL WIDTH A	OVERALL DEPTH B	OVERALL HEIGHT C	HEIGHT TO DOOR OPENING D	DOOR OPENING HGT E	DOOR OPENING WIDTH F	APPROX SHIP WGT
PE4-74-0	74"	60"	53"	5 ¹ / ₄ "	38 ³ / ₄ "	60"	380#
PE4-74-1	74 ¹ / ₂ "	60 ¹ / ₂ "	58"	10 ¹ / ₄ "	38 ³ / ₄ "	60"	395#
PE4-74-2	75"	61"	64"	16 ¹ / ₄ "	38 ³ / ₄ "	60"	415#
PE4-74-3	75 ¹ / ₂ "	61 ¹ / ₂ "	70"	22 ¹ / ₄ "	38 ³ / ₄ "	60"	440#
PE4-86-0	86 ¹ / ₄ "	80"	54"	5 ¹ / ₄ "	38 ³ / ₄ "	70 ¹ / ₂ "	665#
PE4-86-1	86 ³ / ₄ "	80 ¹ / ₄ "	58"	9 ¹ / ₄ "	38 ³ / ₄ "	70 ¹ / ₂ "	685#
PE4-86-2	87 ¹ / ₄ "	80 ³ / ₄ "	64"	15 ¹ / ₄ "	38 ³ / ₄ "	70 ¹ / ₂ "	715#
PE4-86-3	88"	81 ¹ / ₂ "	70"	21 ¹ / ₄ "	38 ³ / ₄ "	70 ¹ / ₂ "	745#
PE4-88-0	86 ¹ / ₄ "	86"	54"	5 ¹ / ₄ "	38 ³ / ₄ "	70 ¹ / ₂ "	685#
PE4-88-1	86 ³ / ₄ "	86 ¹ / ₄ "	58"	9 ¹ / ₄ "	38 ³ / ₄ "	70 ¹ / ₂ "	705#



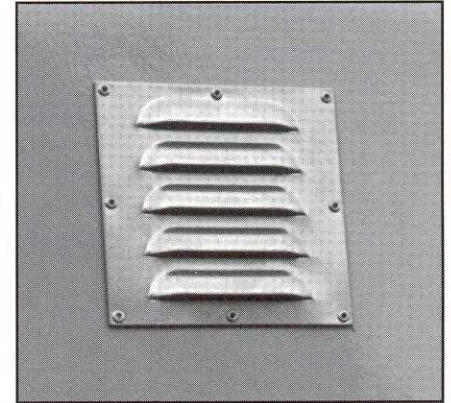
These units have split hinged doors on standard enclosure.



DETAILS:

INTERNAL FLANGE provides structural integrity to the base in addition to providing hold down provisions.

LOUVER ASSEMBLY includes stainless steel 16GA louver plate and internal baffle screen.



SPECIFICATIONS:

1.0 SCOPE

This specification applies to fiberglass outdoor padmount enclosures. Unit shall be designed for mounting on a concrete pad by means of an internal flange completely around the base. Enclosures shall be in complete conformance with ANSI C57.12.28, Pad-mounted Equipment Enclosure Integrity Standard.

2.0 CONSTRUCTION

2.1 Fiberglass laminate shall be 3/16" nominal thickness except where local reinforcement is required.

- 2.2 Fiberglass shall not support combustion and be self extinguishing.
- 2.3 Enclosure exterior shall be gel-coated to .014 inch nominal thickness and be manufacturer's standard willow (or munsell) green color.
- 2.4 Locking device shall provide both a captive penta head bolt and padlocking provisions.
- 2.5 All hardware shall be made of 304 stainless steel.
- 2.6 A stainless steel identification plate shall be affixed outside the enclosure which identifies the manufacturer, model number of the equipment, and date of manufacture.

- 2.7 Stainless steel louvers shall be provided with stainless steel screen baffle for adequate air flow and heat dissipation as required for enclosed equipment.

3.0 TESTING & STANDARDS

- 3.1 Certified test data for the structural standards of the finished laminate shall be made available upon request.
- 3.2 The enclosure shall meet or exceed ANSI C57.12.28, Padmounted Equipment Enclosure Integrity Standard.

Terms and conditions of sale of products and warranties shall be in accordance with Power Design, Inc. Standard Terms and Conditions of Sale, which are available upon request.