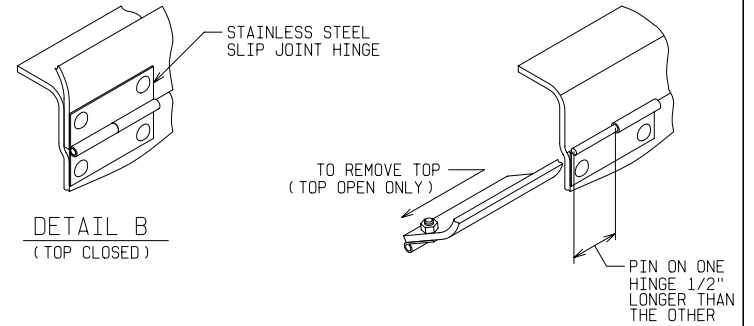
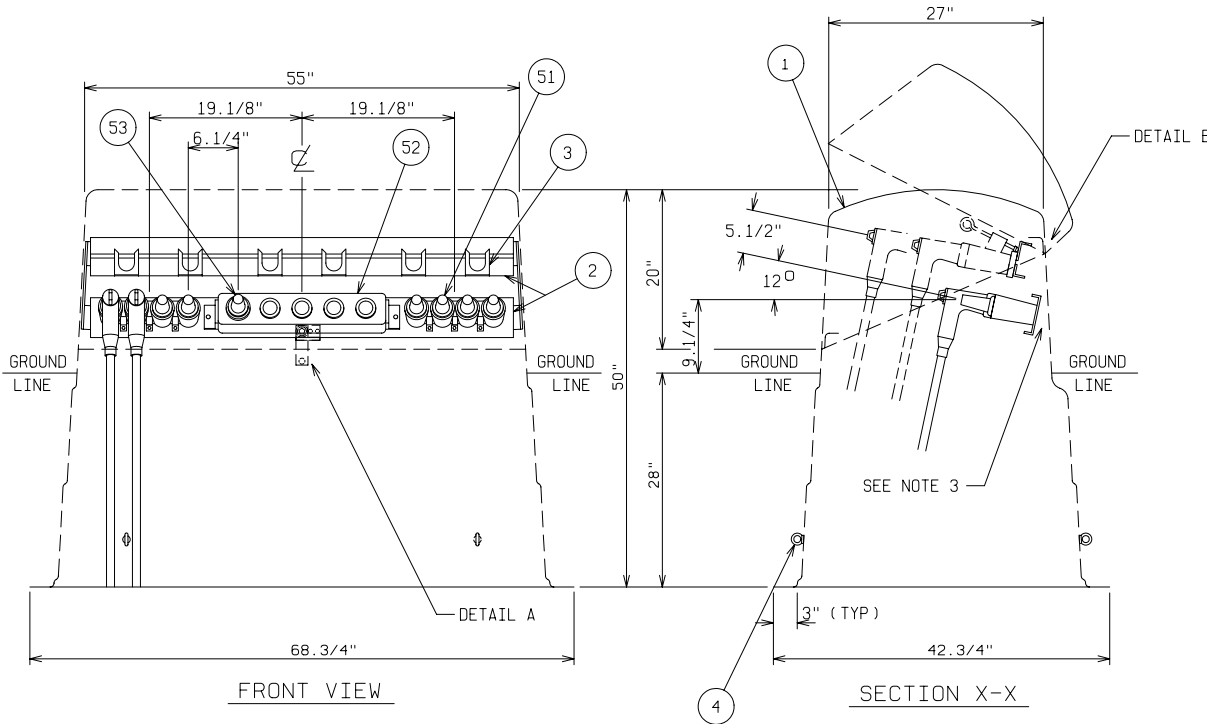


DETAIL A
LATCH DETAIL



DETAIL B
(TOP CLOSED)

DETAIL B
(TOP OPEN)



FRONT VIEW

SECTION X-X

MATERIAL LIST - STANDARD UNIT	
ITEM	DESCRIPTION
1	POWER DESIGN INC MODEL NO CJP-30-50-L2-MG FIBERGLASS CABLE JUNCTION PEDESTAL - MUNSELL GREEN
2	ALUMINUM JUNCTION MOUNTING BAR AND PARKING CLIP MOUNTING RAILS
3	ADJUSTABLE LOCATION STAINLESS STEEL PARKING CLIPS
4	GALVANIZED LIFTING EYE BOLTS - ONE ON FRONT & ONE ON BACK

OPTIONAL EQUIPMENT	
51	200 AMP 15KV LOADBREAK JUNCTION - SPECIFY MANUFACTURER AND 2, 3, OR 4-WAY
52	PATTON & COOKE 5 POINT JUNCTION BAR - 200 AMP - 15KV - 95KV BIL
53	LOADBREAK BUSHING INSERT - 200 AMP - 15KV - 95KV BIL

NOTE:

- MATERIAL:
 - FIBERGLASS LAMINATE 3/16" NOMINAL THICKNESS
 - EXTERIOR UV STABILIZED GELCOAT - 14 MIL NOMINAL THICKNESS
 - FIRE RETARDANT - DOES NOT SUPPORT COMBUSTION
 - STAINLESS STEEL HARDWARE
- MOUNTING BAR WILL WITHSTAND A MINIMUM 400 LB. LOADING TO INSTALL OR REMOVE ELBOWS.
- SPACE ALLOWED BEHIND JUNCTION MTG BAR FOR INSTALLATION OR REMOVAL OF JUNCTIONS WITHOUT REMOVING BAR

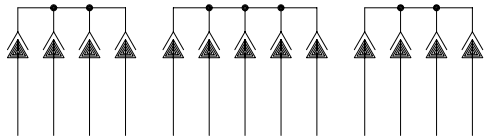
CATALOG NO: CJP-30-50-L2-MG-1613

DEADFRONT CABLE JUNCTION PEDESTAL

15KV 200 AMP 95KV BIL
THREE PHASE TWO PHASES 4-WAY - ONE PHASE 5-WAY



CLARK COUNTY PUD



SCHEMATIC

FILE REF:	DRAWN: BB	PAGE	DATE 4-23-99	DRAWING NO. 1613
-----------	--------------	------	-----------------	---------------------